

separchrom^{PC01}

HPLC COLUMNS FOR PREP CHROMATOGRAPHY

High performance Columns with biaxial compression

Columns **Separchrom PC01** correspond to the highest requirements of preparative liquid chromatography. PC01 columns are designed to be used in a mode of axial (or biaxial) compression. Columns can be packed by dynamic slurry technique or by sedimentation method. They are equipped with identical pistons on input and output. Pistons are provided by Poremet® 2 stainless steel (AISI 316 L) frits with porosity 3 µm and minimum hydraulic resistance. New developed patented liquid distributing system is installed under each frit. The design guarantees perfect piston flow, high efficiency even for high injection volume and simple accessibility of frit for cleaning.

Separchrom PC01 columns are made of high quality stainless steel (AISI 316 or AISI 316L on the request) and their inner surface is polished to reach Ra < 0,3 µm. Column flanges are not welded, but screwed on the column tube. It means that there is no temperature increasing during manufacture and thus no change of steel properties. Columns have input piston with large stroke (possibly through whole column length) and it is moved by a force generated by a hydraulic cylinder or by flange bolts tightening. Single hydraulic cylinders fitted on upper flange with manual oil pumps are offered as well as fully automated electric motor driven devices for columns' packing/unpacking procedure. Separchrom PC01 column output pistons movement is provided mechanically by tightening the flange bolts. In this case is functional stroke of the piston approximately 15 % of the column I.D. Pistons are sectional, frit squeezed to the frit ring can be released from piston body and cleaned as well the flow distributor. Distributor design effectively protects the frit from particles which can caused i'their blockage.

Separchrom PC01 columns are delivered with legs made of stainless steel closed profiles and fitted to the upper tube flange. It means that output flange is fully accessible for disassembling and sorbent releasing.

Separchrom PC01 columns are completed by a broad scale of accessories as filling adapters, slurry mixing vessels, slurry transporting pumps etc. for automatic filling using dynamic slurry technique as well as automatic emptying procedure.

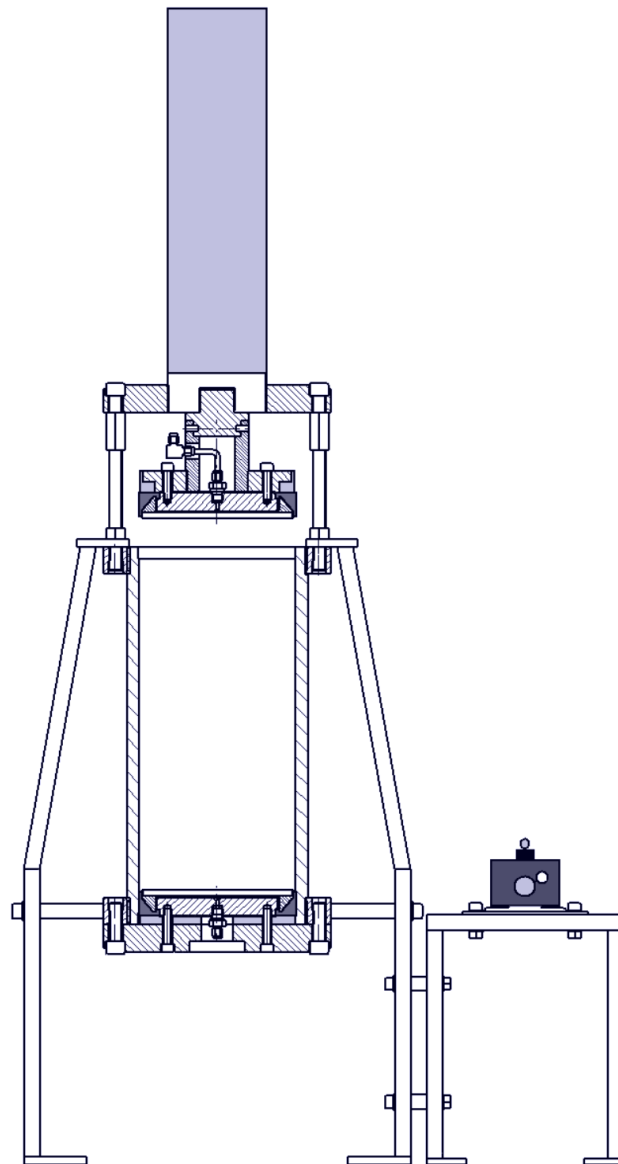


Columns for laboratory applications

Type of column	I.D. mm	Length mm	Pressure bar	Note
SEPARCHROM PC01 25/50	25	50	200	Delivered without legs
SEPARCHROM PC01 25/100	25	100	200	Delivered without legs
SEPARCHROM PC01 25/250	25	250	200	Delivered without legs
SEPARCHROM PC01 50/50	50	50	200	Delivered without legs
SEPARCHROM PC01 50/100	50	100	200	
SEPARCHROM PC01 50/250	50	250	200	
SEPARCHROM PC01 50/500	50	500	200	
SEPARCHROM PC01 100/100	100	100	150	
SEPARCHROM PC01 100/250	100	250	150	
SEPARCHROM PC01 100/500	100	500	150	

Columns for industrial applications

Type of column	I.D. mm	Length mm	Pressure bar	Note
SEPARCHROM PC01-100/100	100	100	150	
SEPARCHROM PC01-100/250	100	250	150	
SEPARCHROM PC01-100/500	100	500	150	
SEPARCHROM PC01-100/600	100	600	150	
SEPARCHROM PC01-100/700	100	700	150	
SEPARCHROM PC01-100/800	100	800	150	
SEPARCHROM PC01-100/1000	100	1000	150	
SEPARCHROM PC01-150/150	150	150	150	
SEPARCHROM PC01-150/300	150	300	150	
SEPARCHROM PC01-150/500	150	500	150	
SEPARCHROM PC01-150/600	150	600	150	
SEPARCHROM PC01-150/900	150	900	150	
SEPARCHROM PC01-150/1000	150	1000	150	
SEPARCHROM PC01-200/200	200	200	120	
SEPARCHROM PC01-200/400	200	400	120	
SEPARCHROM PC01-200/500	200	500	120	
SEPARCHROM PC01-200/600	200	600	120	
SEPARCHROM PC01-200/800	200	800	120	
SEPARCHROM PC01-200/1000	200	1000	120	
SEPARCHROM PC01-300/300	300	300	100	
SEPARCHROM PC01-300/600	300	600	100	
SEPARCHROM PC01-300/900	300	900	100	
SEPARCHROM PC01-300/1200	300	1200	100	
SEPARCHROM PC01-400/400	400	400	80	
SEPARCHROM PC01-400/800	400	800	80	
SEPARCHROM PC01-400/1200	400	1200	80	



Separchrom PC 01 DS column, 150 mm I.D., hydraulic system with manual oil pump.