

GRADIENT FORMING DEVICES

separmix_{PX}

PROGRAMMING UNITS

Separmix PX 1000 **Separmix** PX 3000 are low pressure gradient programming units situated in a box with graphic display and membrane keyboard. They are used in combination with a set of solenoid valves to form a low pressure gradient of mobile phase on the pump input.

Gradient program consist of 10 linear steps for two (P2), three (P3) or four liquids (P4). Programming unit SEPARMIX is connected by a single cable to gradient valves box. SEPARMIX PX 1000 can be used to program and feed smaller systems (for flow rate 1000 ml/min.), large ones can use 3000 version with larger valves.

separmix_V

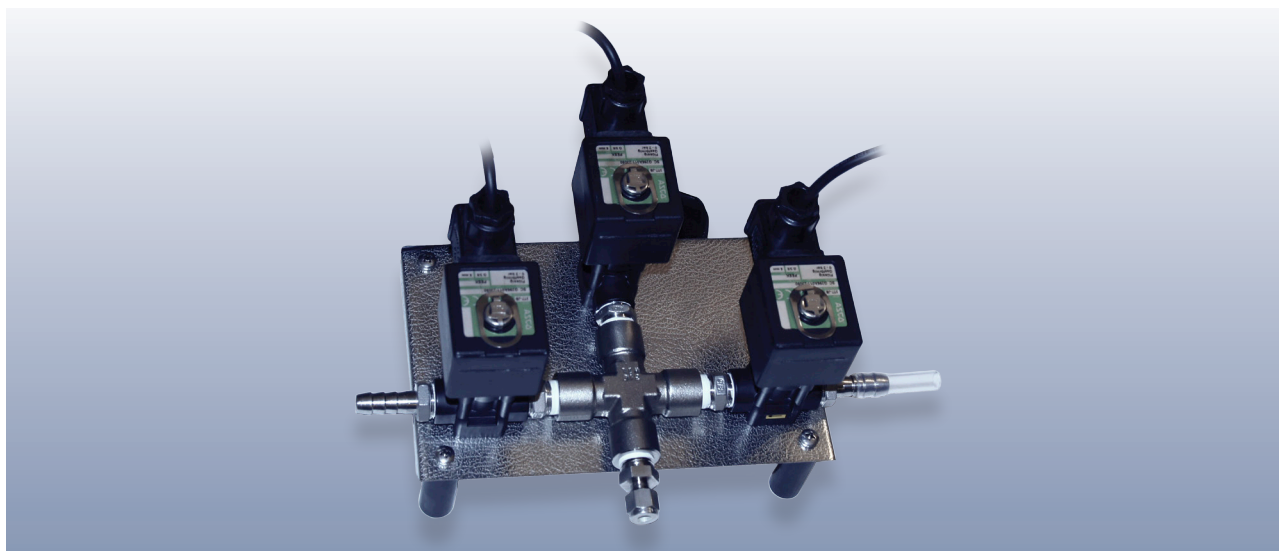
GRADIENT VALVES

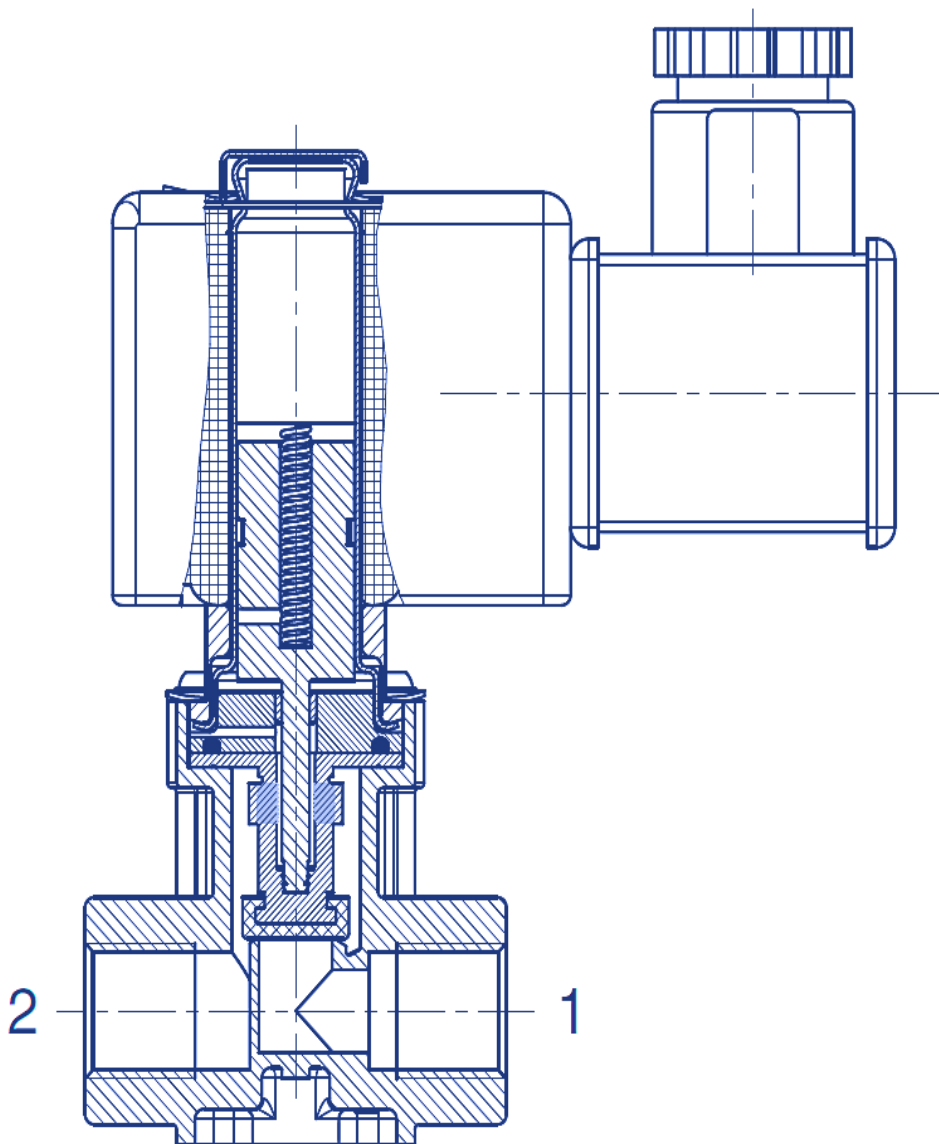
separmix V is a series of gradient valves different sizes and numbers for low pressure gradient forming. They are designed to be controlled either from a pump **separmix** PP03 G or from a single programming unit. Special solenoid valves made by ASCO SCIENTIFIC can be used for the control of even aggressive liquids in the pharmaceutical, chemical and biochemical industries. The valve is suited for all applications in which the fluids must not come into contact with the magnetic metal kern of the solenoid valve. Bellows system made of PTFE and FFPM (perfluorelastomere) seals with high functional reliability and long service life solves this problem in our case.

Each set of valves is completed by manifolds on the input and output to allow the connection to the liquid reservoirs on one side and to the chromatography pump on the opposite side. A set of valves is inserted into a stainless steel box with a cooling fan in order not to overheat valves and not to increase liquid temperature and to prevent bubbles generation.

There are three dimensions of gradient mixer valves sets depending on maximal flow rate. Maximum liquid viscosity to be used with mentioned valves systems is 40 cSt (mm²/s) and temperature range -10 °C to +90 °C. Material in contact with fluid are: PEEK (polyetheretherketone), stainless steel, FFPM and PTFE. Max. input pressure is 2 bars. Units are delivered with 3 or 5 valves. Other configurations are possible as an option.

Type	Flow rate ml/min.	Valves number	Note
SEPARMIX V3S	10 - 1000	3	
SEPARMIX V4S	10 - 1000	4	
SEPARMIX V3L	100 - 3000	3	
SEPARMIX V4L	100 - 3000	4	





Gradient valve with sealed electromagnetic kern.